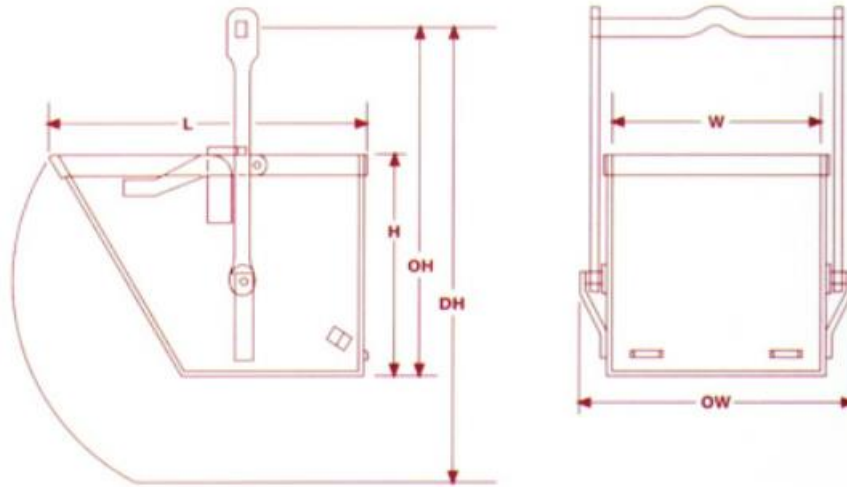


HEAVY CRANE BUCKET PICTURES AND MODELS



STANDARD MODELS								
CUBIC YARDS	BODY MATL	DIMENSIONS IN INCHES						WGT.
		L	W	H	OW	OH	DH	
3/4	3/16"	51	30	28	39 3/8	46	63	700#
1	3/16"	53	36	30	45 3/8	51	67 1/2	780#
1 1/2	3/16"	61 5/8	45 3/8	33 1/2	54 3/4	55 1/4	76	1000#
2	1/4"	66	48	36	57 1/2	57 1/2	83	1260#

For data on special sizes and extra heavy duty models, write or call.