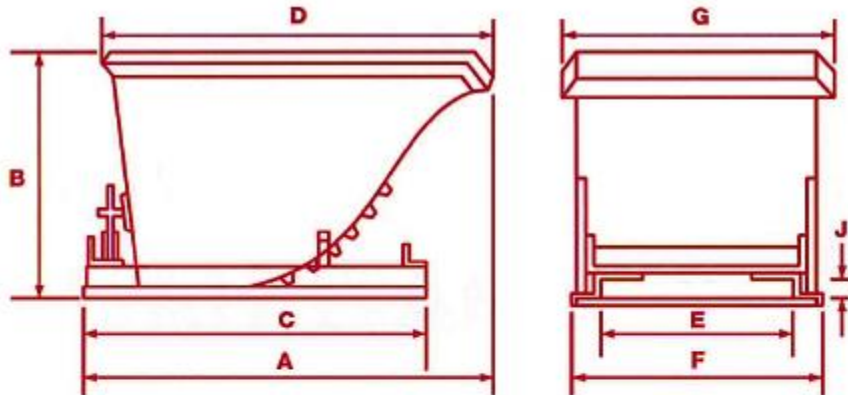


## HOPPER PICTURES & MODELS



**J=2 3/4" Fork clearance - 1/4 through 5 cubic yards**

STANDARD MODELS									
CUBIC YARDS	CAPACITY	DIMENSIONS IN INCHES							WGT.
		A	B	C	D	E	F	G	
1/4	4000 #	46 1/2	24	42	41	24 7/8	32 3/8	33 1/2	323#
1/2	4000 #	54	31 1/2	42	52 1/4	24 7/8	32 3/8	33 1/2	425#
3/4	6000 #	60 1/4	35	54	56 1/4	30 3/4	38 3/8	39 1/2	560#
1	6000 #	64 3/4	37 3/4	54	62 1/2	30 3/4	38 3/8	39 1/2	600#
1 1/2	6000 #	75 3/4	46 1/4	60	73	30 3/4	38 3/8	39 1/2	730#
2	6000 #	75 3/4	46 1/4	60	73	42 1/2	50 1/4	51 1/2	820#
2 1/2	8000 #	75 3/4	47 1/4	60	73	42 1/2	50 1/4	63 1/2	1040#
3	8000 #	75 3/4	47 1/4	60	73	42 1/2	50 1/4	75 1/2	1150#
3 1/2	8000 #	75 3/4	47 1/4	60	73	42 1/2	50 1/4	87 1/2	1350#
4	8000 #	75 3/4	47 1/4	60	73	42 1/2	50 1/4	99 1/2	1550#
5	8000 #	75 3/4	47 1/4	60	73	42 1/2	50 1/4	123 1/2	1750#

\*Height shown is for standard fork-type mounting  
*Specifications subject to change without notice*